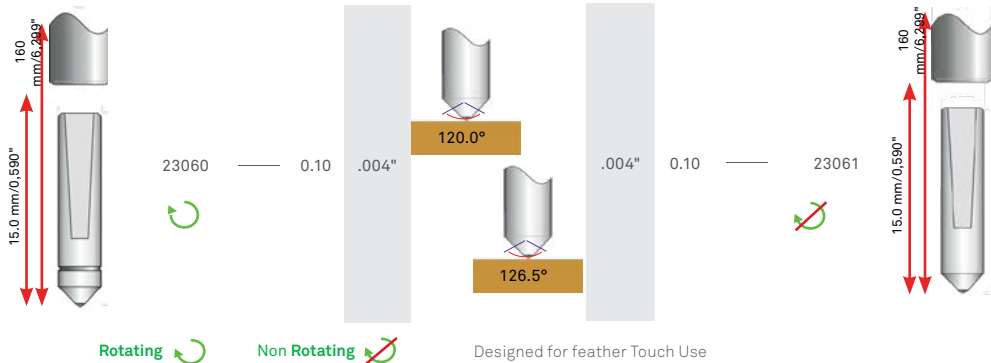




11/64" (4.36 mm) SHANK SIZE

Compatible with: TXL, M40, IS200, IS400, IS900, IS6000/7000/8000

θ = 120.0° CARBIDE A (MM - INCH) DIAMOND A (INCH - MM) CARBIDE θ = 126.5°



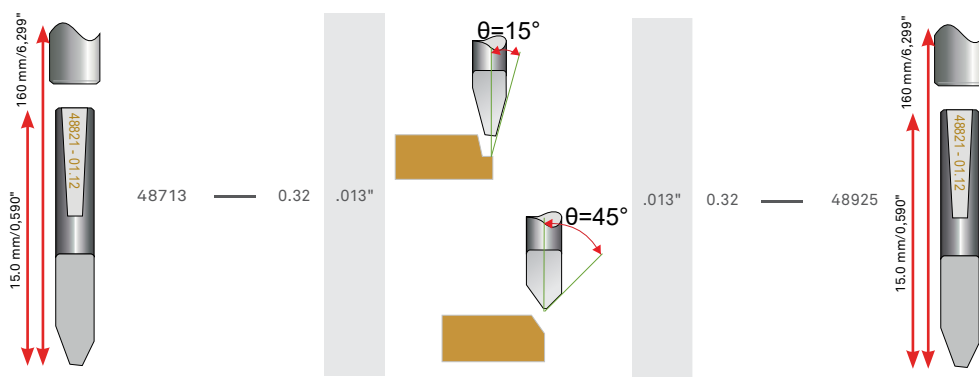
DIAMOND

COMPATIBLE MATERIALS	θ = 120.0°	θ = 126.5°
Gravoply™, Metallex™ & Gravoglas™, Acrylic	■	■
Gold/Silver	■	●
Aluminium/Brass	●	■
Steel/Stainless steel	■	■

● Absolutely suitable ■ Suitable

SCRIBING

θ = 15° CARBIDE A (MM - INCH) SPECIAL A (INCH - MM) CARBIDE θ = 45°



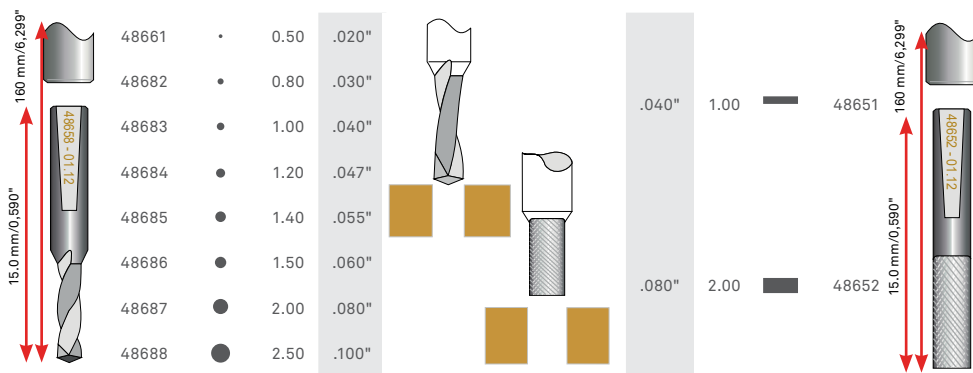
SPECIAL

COMPATIBLE MATERIALS	θ = 15°	θ = 45°
Gravoply™, Metallex™ & Gravoglas™, Acrylic	●	■
Leathers and derived products	■	■
Phenolic	■	●
Gold/Silver	■	■
Aluminium/Brass	●	●
Steel/Stainless steel	■	■

● Absolutely suitable ■ Suitable

BEVELLING

DRILLING CARBIDE A (MM-INCH) CYLINDRICAL A (INCH - MM) CARBIDE MULTI-LIP



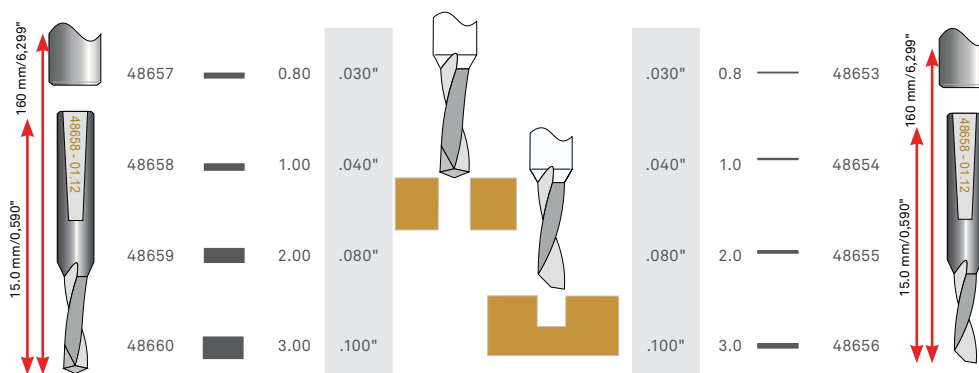
CYLINDRICAL

COMPATIBLE MATERIALS	DRILLING	MULTI-LIPS
Gravoply™, Metallex™ & Gravoglas™, Acrylic	●	■
Leathers and derived products	■	■
Phenolic / Epoxy	■	●
Gold/Silver	■	■
Aluminium/Brass	■	■
Steel/Stainless steel	■	■

● Absolutely suitable ■ Suitable

DRILLING AND CUTTING

DOUBLE LIP CARBIDE A (MM-INCH) CYLINDRICAL A (INCH - MM) CARBIDE SINGLE LIP



CYLINDRICAL

COMPATIBLE MATERIALS	DOUBLE LIPS	SINGLE LIP
Gravoply™, Metallex™ & Gravoglas™, Acrylic	■	■
Gold/Silver	■	■
Aluminium/Brass	●	●

● Absolutely suitable ■ Suitable

CUTTING